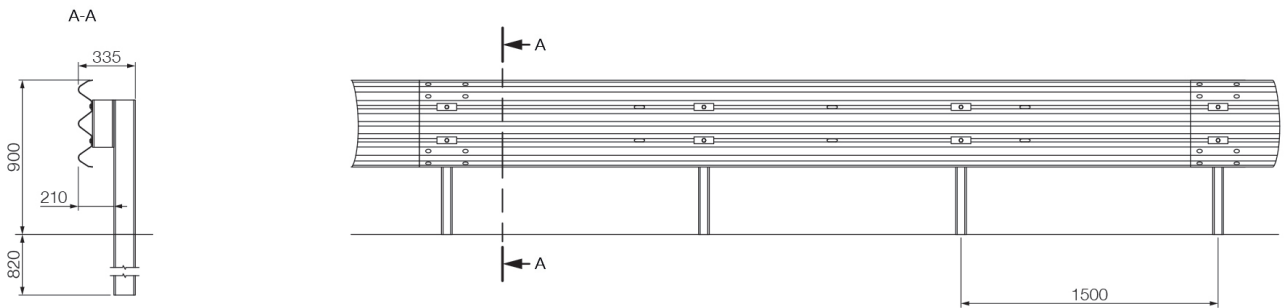


H2 | W3 | A | VI3

SafeStar  231



TECHNICAL SPECIFICATIONS

Working width (m)	Dyn. deflection (m)	Vehicle intrusion (m)
1.00	0.90	1.00
Construction width (m)	Construction height (m)	Post distance (m)
0.34	0.90	1.50
Application area driven in ground	Type Single	Test length (m) 54.00